

LTC-HV

Ex LED lighting fittings for zone 1, 2, 21 & 22

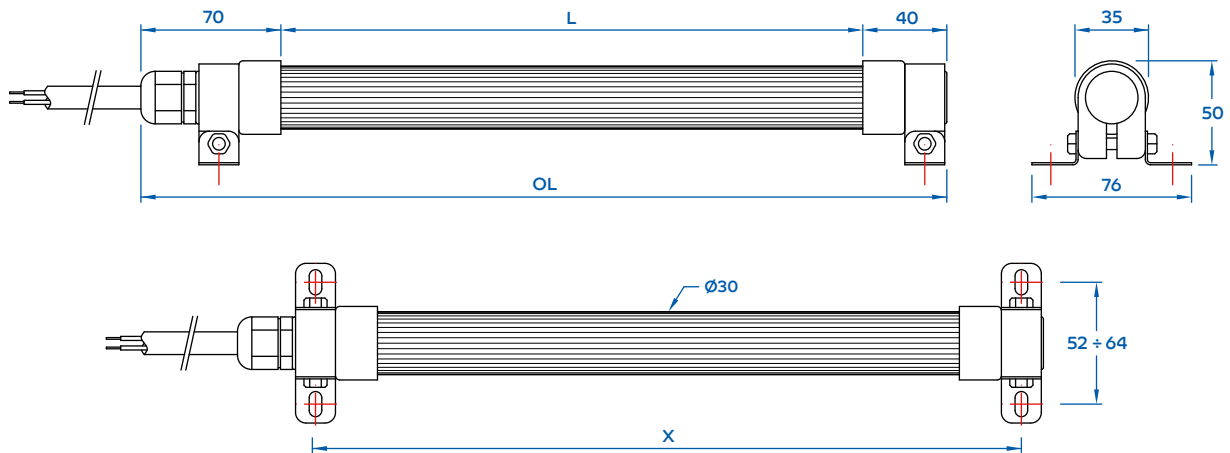
EX
INDUSTRIES

Explosion protection:	II2G Ex e mb IIC T5÷T4 Gb II2D Ex mb IIIC T95°C÷T130°C Db
Ingress protection:	IP66
EC Type certificate:	CEC 11 ATEX 120
Ambient temp.:	-20°C ÷ +40°C (T5) -20°C ÷ +60°C (T4)
End fittings:	Polyamide as standard [Stainless steel and brass on request]
Diffuser:	UV resistant polycarbonate
Light source:	LED 120° 5.500K 90lm/W CRI80
Lifetime:	50.000 hours
Power supply:	230Vac 50/60Hz ±10%
Cable:	Polyurethane 2x1.5mm ² [H07BQ-F] Other cable on request [10m cable as standard]



SELECTION CHART & DIMENSIONS

FIG A



Article code	Power [Watt]	Quantity LED	Current [mA]	Luminous Flux [Lm]	< L > [mm]	< OL > [mm]	< X > [mm]
LTC 10 230AC	9	20	46	900	317	430	377
LTC 20 230AC	17	40	92	1.800	587	700	647
LTC 30 230AC	26	60	138	2.700	896	1.010	957
LTC 35 230AC	35	80	184	3.600	1.196	1.310	1.257