

20 A

750 V
U MAXI

DECONTACTOR™ DX1



MARECHAL ELECTRIC FRANCE

II 2 G D Ex de IIC tD A21
 -25 °C ≤ Ta ≤ +60 °C T5 T84 °C
 -25 °C ≤ Ta ≤ +50 °C T6 T74 °C
 IECEx LCI 09.0014/LCIE 05 ATEX 6127



IP65



2,5-10 mm² (1)



METAL



IK10



-25 °C
+60 °C



ATEX



1, 2,
21, 22

(1) Flexible and stranded wiring (min.-max.).



Other configurations
on request

Locking position
connected or
disconnected by
lockable shaft.

STANDARDS

International and European
IEC/EN standards

60079-0, 60079-1, 60079-7, 60079-31, 60309-1, 60309-4,

Protection mode

de, tD



Each socket outlet
or inlet must be
associated with a box,
a sleeve or a handle.

SOCKET-OUTLET
female
DX1



**INCLINED
APPLIANCE**
inlet
DX1




PLUG
male
DX1




220-250 V AC	1P+N+E	2624015	2626015	8-13 mm	2621015
380-440 V AC	3P+E	2624013	2626013	8-13 mm	2621013
380-440 V AC	3P+N+E	2624017	2626017	8-13 mm	2621017

► Other currents, voltages, frequencies and contact configurations are available (see page 14).

REFERENCES ACCESSORIES

WALL BOX	Cable gland entry	Cable outer Ø	Reference
WALL BOX METAL 90° EX METAL CABLE GLAND INCLUDED*			
	M20	8-13 mm	262AB53
	M25	9-16 mm	262AB5325M
	M32	12-21 mm	262AB5332M

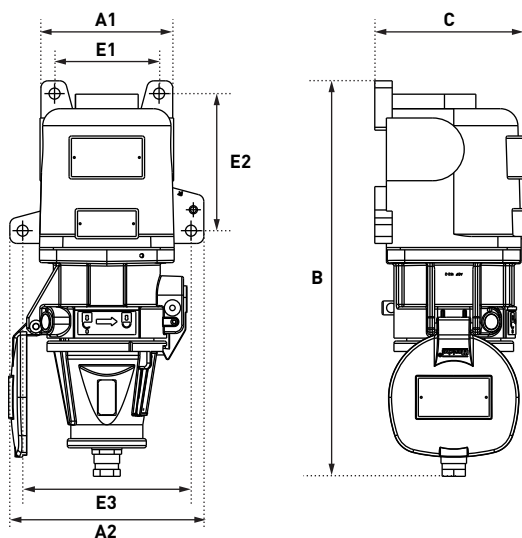
HANDLES	Cable gland entry	Cable outer Ø	Reference
STRAIGHT HANDLE METAL BOX EX METAL CABLE GLAND INCLUDED*			
	M20	8-13 mm	262A963
	M25	9-16 mm	262A95325M
	M32	12-21 mm	262A95332M

* Optional versions for earth continuity are available, please contact us

OPTIONS	Reference
INLET CAP IP66/IP67	
	262A926

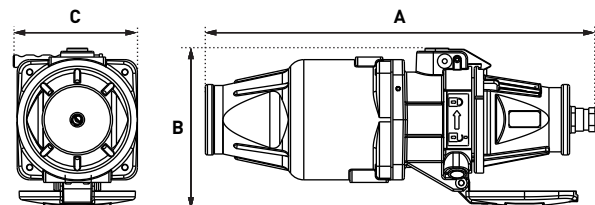
DRAWINGS AND DIMENSIONS

PLUG ON WALL MOUNTED SOCKET



A1	A2	B	C	E1	E2	E3
115	145	341	129	90	118	168

COUPLER



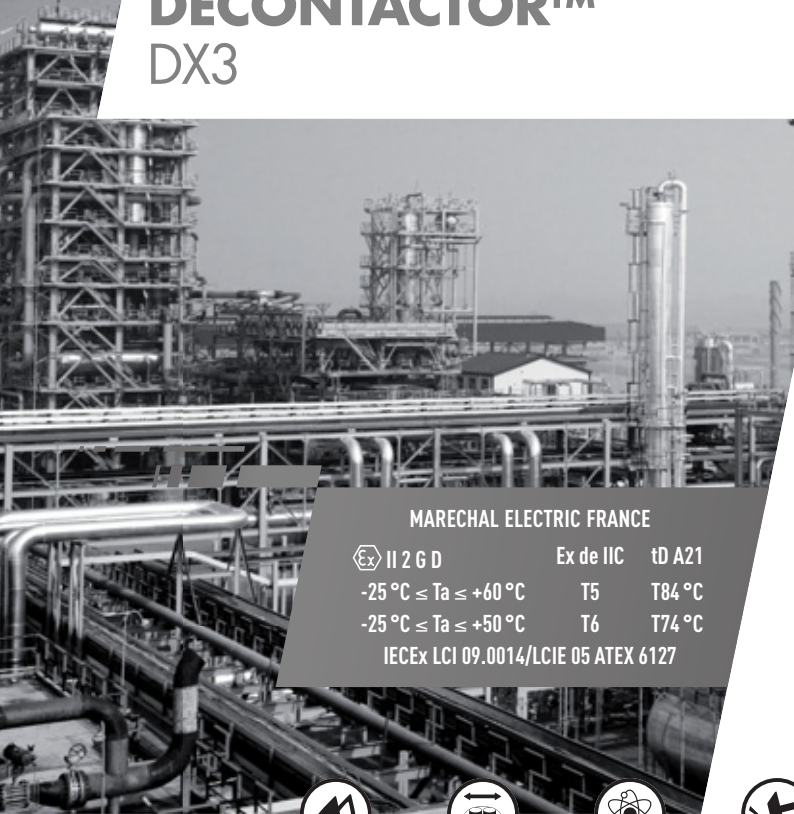
A	B	C
116	154	352

32 A

750 V

U MAXI

DECONTACTOR™ DX3



MARECHAL ELECTRIC FRANCE

II 2 G D Ex de IIC tD A21
-25 °C ≤ Ta ≤ +60 °C T5 T84 °C
-25 °C ≤ Ta ≤ +50 °C T6 T74 °C
IECEx LCI 09.0014/LCIE 05 ATEX 6127



IP65



2,5-10 mm² (1)



METAL



IK10



-25 °C
+60 °C



ATEX



1, 2,
21, 22

(1) Flexible and stranded wiring (min.-max.).



Other configurations
on request

Locking position
connected or
disconnected by
lockable shaft.

STANDARDS

International and European
IEC/EN standards

60079-0, 60079-1, 60079-7, 60079-31, 60309-1, 60309-4,

Protection mode

de, tD



Each socket outlet
or inlet must be
associated with a box,
a sleeve or a handle.

SOCKET-OUTLET
female
DX3



**INCLINED
APPLIANCE**
inlet
DX3




PLUG
male
DX3




220-250 V AC	1P+N+E	2634015	2636015	9-16 mm	2631015
380-440 V AC	3P+E	2634013	2636013	9-16 mm	2631013
380-440 V AC	3P+N+E	2634017	2636017	9-16 mm	2631017

► Other currents, voltages, frequencies and contact configurations are available (see page 14).

REFERENCES ACCESSORIES

WALL BOX	Cable gland entry	Cable outer Ø	Reference
WALL BOX METAL 90° EX METAL CABLE GLAND INCLUDED*			
	M20	8-13 mm	263AB5320M
	M25	9-16 mm	263AB53
	M32	12-21 mm	263AB5332M

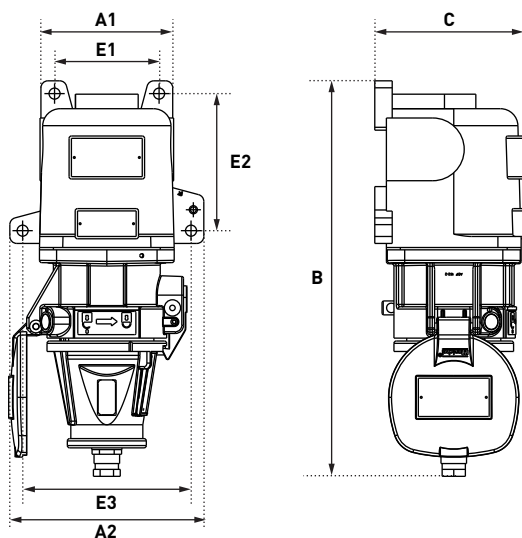
* Optional versions for earth continuity are available, please contact us

HANDLES	Cable gland entry	Cable outer Ø	Reference
STRAIGHT HANDLE METAL BOX EX METAL CABLE GLAND INCLUDED*			
	M20	8-13 mm	263A95320M
	M25	9-16 mm	263A963
	M32	12-21 mm	263A95332M

OPTIONS	Reference
INLET CAP IP66/IP67	
	263A926

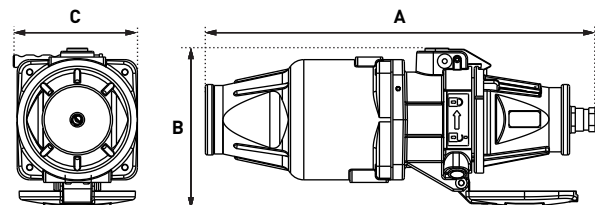
DRAWINGS AND DIMENSIONS

PLUG ON WALL MOUNTED SOCKET OUTLET



A1	A2	B	C	E1	E2	E3
115	145	341	129	90	118	168

COUPLER



A	B	C
116	154	352

63 A

750 V
U MAXI

DECONTACTOR™ DX6



MARECHAL ELECTRIC FRANCE

II 2 G D Ex de IIC tD A21
 -40 °C ≤ Ta ≤ +60 °C T5 T90 °C
 -40 °C ≤ Ta ≤ +50 °C T6 T80 °C
 IECEx LCI 09.0015/LCIE 04 ATEX 6038



IP65
IP66



16-35 mm² (1)
16-50 mm² (2)



METAL



IK10



-40 °C
+60 °C



ATEX



1, 2,
21, 22

(1) Flexible wiring (min.-max.).
(2) Stranded wiring (min.-max.).



Other configurations
on request

Locking position
connected or
disconnected by
lockable shaft.

STANDARDS

International and European
IEC/EN standards

60079-0, 60079-1, 60079-7, 60079-31, 60309-1, 60309-4,

Protection mode

de, tD



Each socket outlet
or inlet must be
associated with a box,
a sleeve or a handle.

SOCKET-OUTLET
female
DX6



**INCLINED
APPLIANCE**
inlet
DX6




PLUG
male
DX6




220-250 V AC	1P+N+E	2664015	2666015	12-21 mm	2661015
380-440 V AC	3P+E	2664013	2666013	12-21 mm	2661013
380-440 V AC	3P+N+E	2664017	2666017	12-21 mm	2661017

► Other currents, voltages, frequencies and contact configurations are available (see page 14).

REFERENCES ACCESSORIES

WALL BOX	Cable gland entry	Cable outer Ø	Reference
WALL BOX METAL 90° EX METAL CABLE GLAND INCLUDED*			
	M25	9-16 mm	266AB5325M
	M32	12-21 mm	266AB53
	M40	16-27 mm	266AB5340M

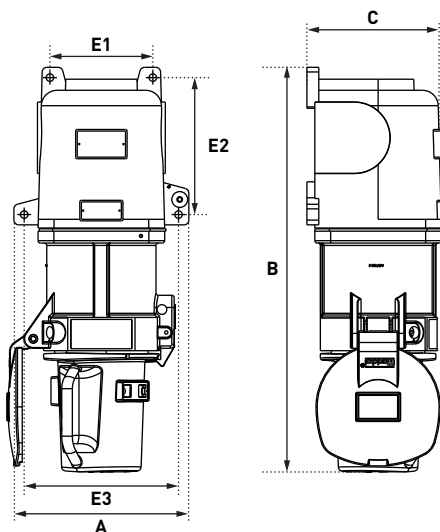
* Optional versions for earth continuity are available, please contact us

HANDLES	Cable gland entry	Cable outer Ø	Reference
STRAIGHT HANDLE METAL BOX EX METAL CABLE GLAND INCLUDED*			
	M25	9-16 mm	266A95325M
	M32	12-21 mm	266A963
	M40	16-27 mm	266A95340M

OPTIONS	Reference
INLET CAP IP66/IP67	
	266A926

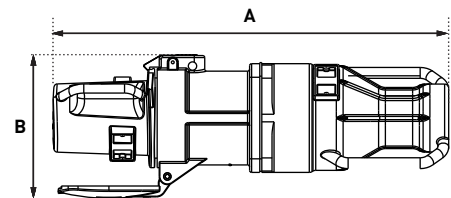
DRAWINGS AND DIMENSIONS

PLUG ON WALL MOUNTED SOCKET OUTLET



A	B	C	E1	E2	E3
221	511	173	130	173	195

COUPLER



A	B	C
582	212	160

125 A

750 V
U_{MAX} II

DECONTACTOR™ DX9



MARECHAL ELECTRIC FRANCE

II 2 G D Ex de IIC tD A21
 -40 °C ≤ Ta ≤ +60 °C T5 T90 °C
 -40 °C ≤ Ta ≤ +50 °C T6 T80 °C
 IECEx LCI 09.0015/LCIE 04 ATEX 6038



IP65
IP66



35-50 mm² (1)
50-70 mm² (2)



METAL



IK10



-40 °C
+60 °C



ATEX



1, 2,
21, 22

(1) Flexible wiring (min.-max.).
(2) Stranded wiring (min.-max.).



**Other configurations
on request**

**Locking position
connected or
disconnected by
lockable shaft.**

STANDARDS

International and European
IEC/EN standards

60079-0, 60079-1, 60079-7, 60079-31, 60309-1, 60309-4,

Protection mode

de, tD

SOCKET-OUTLET
female
DX9



**INCLINED
APPLIANCE**
inlet
DX9



PLUG
male
DX9





**Each socket outlet
or inlet must be
associated with a box,
a sleeve or a handle.**

380-440 V AC	3P+E	2694013	2696013	16-27 mm	2691013
				23-35 mm	269101350M
				36-48 mm	269101363M
380-440 V AC	3P+N+E	2694017	2696017	16-27 mm	2691017
				23-35 mm	269101750M
				36-48 mm	269101763M

► Other currents, voltages, frequencies and contact configurations are available (see page 14).

REFERENCES ACCESSORIES

WALL BOX	Cable gland entry	Cable outer Ø	Reference
WALL BOX METAL 90° EX METAL CABLE GLAND INCLUDED*			
	M32	12-21 mm	269AB5332M
	M40	16-27 mm	269AB53
	M50	23-35 mm	269AB5350M
	M63	36-48 mm	269AB5363M

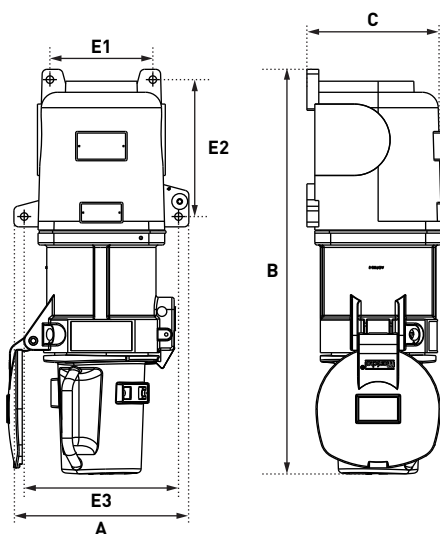
HANDLES	Cable gland entry	Cable outer Ø	Reference
STRAIGHT HANDLE METAL BOX EX METAL CABLE GLAND INCLUDED*			
	M32	12-21 mm	269A95332M
	M40	16-27 mm	269A963
	M50	23-35 mm	269A95350M
	M63	36-48 mm	269A95363M

* Optional versions for earth continuity are available, please contact us

OPTIONS	Reference
INLET CAP IP66/IP67	
	269A926

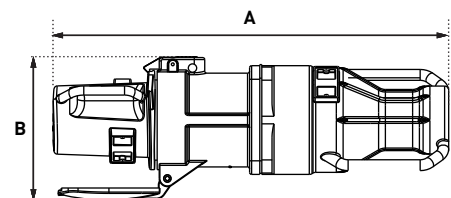
DRAWINGS AND DIMENSIONS

PLUG ON WALL MOUNTED SOCKET OUTLET



A	B	C	E1	E2	E3
221	511	173	130	173	195

COUPLER



A	B	C
582	212	160

200 A 750 V

U MAX

DECONTACTOR™ DX2



MARECHAL ELECTRIC FRANCE

II 2 G D Ex de IIC tD A21
 -40 °C ≤ Ta ≤ +60 °C T3 T91 °C
 IECEx LCI 09.0015/LCIE 04 ATEX 6038



IP65
IP66



50 mm² ⁽¹⁾
70 mm² ⁽²⁾



METAL



IK10



-40 °C
+60 °C



ATEX



1, 2,
21, 22

⁽¹⁾ Flexible wiring.
⁽²⁾ Stranded wiring.



**Other configurations
on request**

**Locking position
connected or
disconnected by
lockable shaft.**

STANDARDS

International and European
IEC/EN standards

60079-0, 60079-1, 60079-7, 60079-31, 60309-1, 60309-4,

Protection mode

de, tD



**Each socket outlet
or inlet must be
associated with a box,
a sleeve or a handle.**

SOCKET-OUTLET
female
DX2 (200 A)



**INCLINED
APPLIANCE**
inlet
DX2 (200 A)




PLUG
male
DX2 (200 A)




380-440 V AC	3P+E	2674013	2676013	36-48 mm	2671013
380-440 V AC	3P+N+E	2674017	2676017	36-48 mm	2671017

► Other currents, voltages, frequencies and contact configurations are available (see page 14).

REFERENCES ACCESSORIES

WALL BOX	Cable gland entry	Cable outer Ø	Reference
WALL BOX METAL 90° EX METAL CABLE GLAND INCLUDED*			
	M63	36-48 mm	267AB53

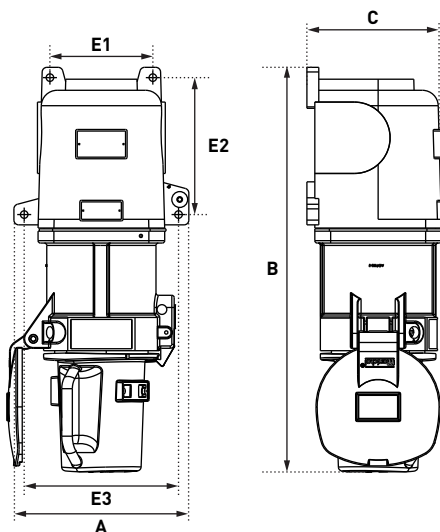
* Optional versions for earth continuity are available, please contact us

HANDLES	Cable gland entry	Cable outer Ø	Reference
STRAIGHT HANDLE METAL BOX EX METAL CABLE GLAND INCLUDED*			
	M63	36-48 mm	267A963

OPTIONS	Reference
INLET CAP IP66/IP67	
	267A926

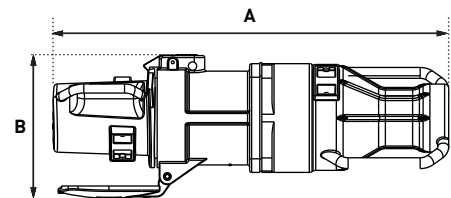
DRAWINGS AND DIMENSIONS

PLUG ON WALL MOUNTED SOCKET OUTLET



A	B	C	E1	E2	E3
221	511	173	130	173	195

COUPLER



A	B	C
582	212	160